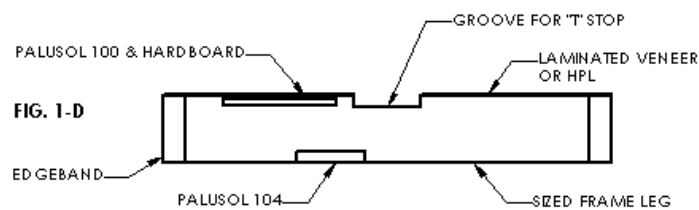
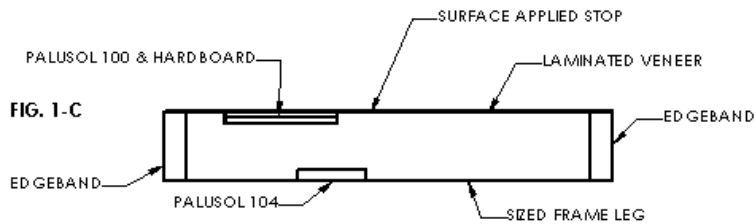
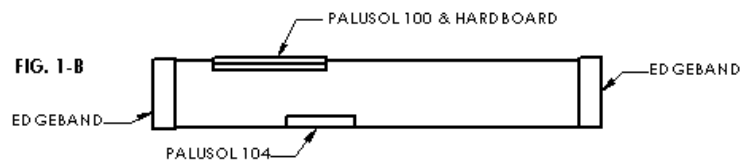
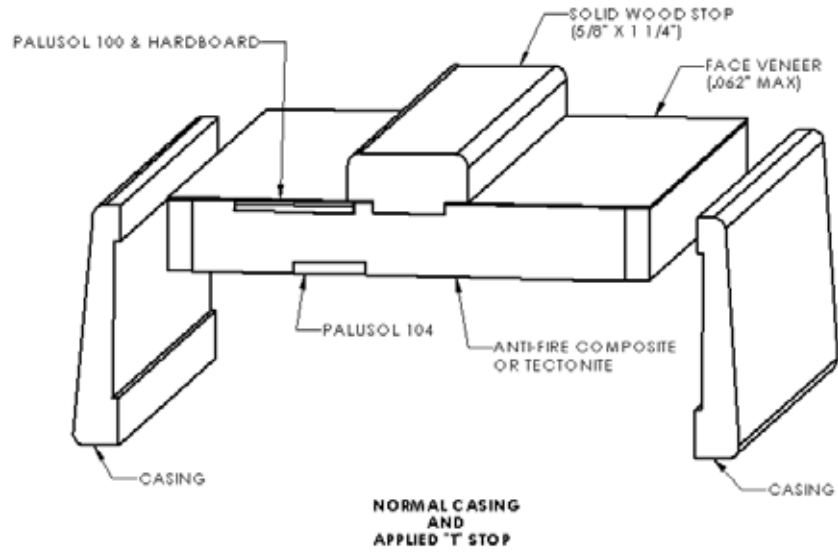


HARMONY COMPOSITE PRODUCTS DOOR FRAME SYSTEM (page1)



**HARMONY COMPOSITE PRODUCTS
DOOR FRAME SYSTEM
(page2)**

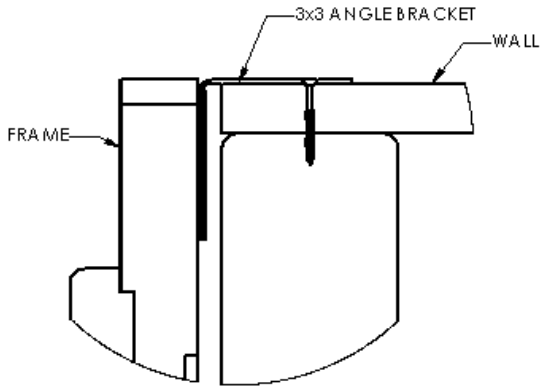


FIG. 2

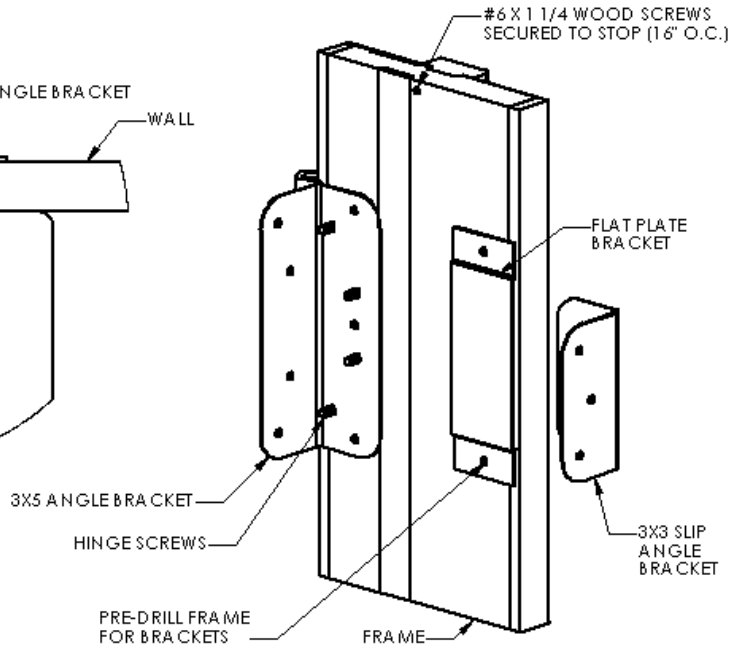


FIG. 3

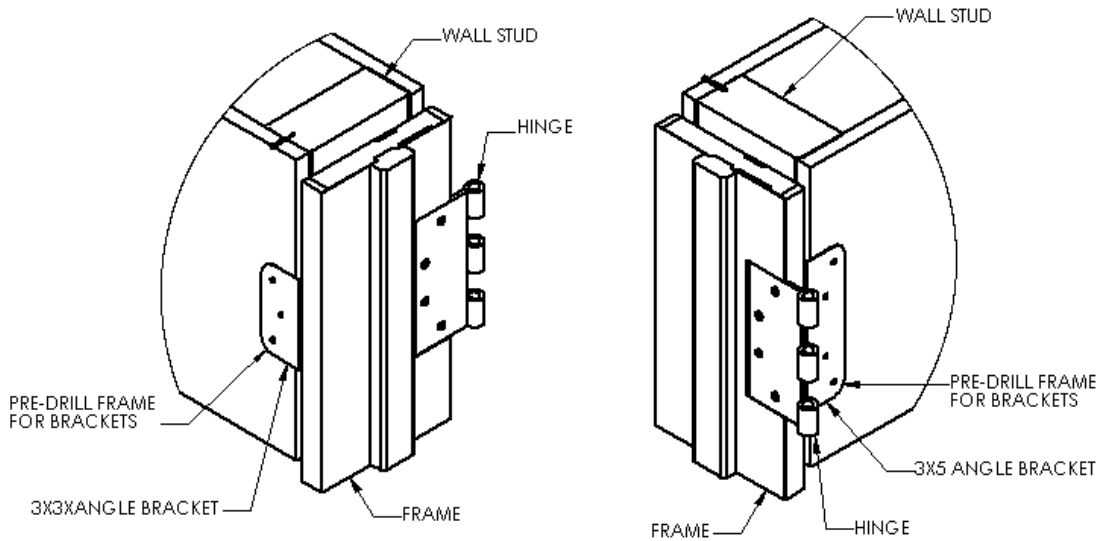
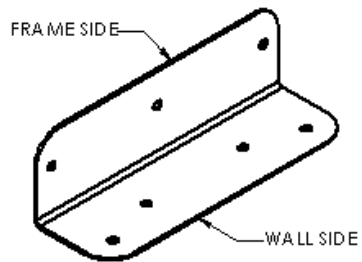
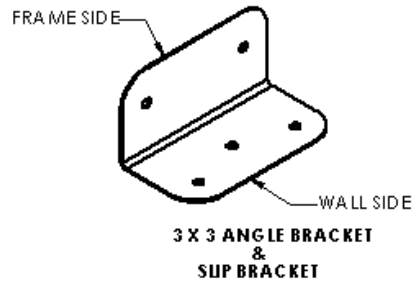


FIG. 4

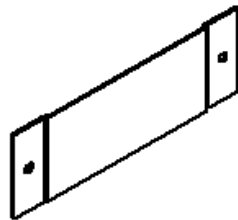
HARMONY COMPOSITE PRODUCTS DOOR FRAME SYSTEM (page3)



3 X 5 ANGLE BRACKET



**3 X 3 ANGLE BRACKET
&
SUP BRACKET**



**1 1/2 X 4 1/2
FLAT PLATE BRACKET**

ALL BRACKETS ARE
20 GAUGE METAL
WITH 5/16"
PRE-DRILLED HOLES

FIG. 5

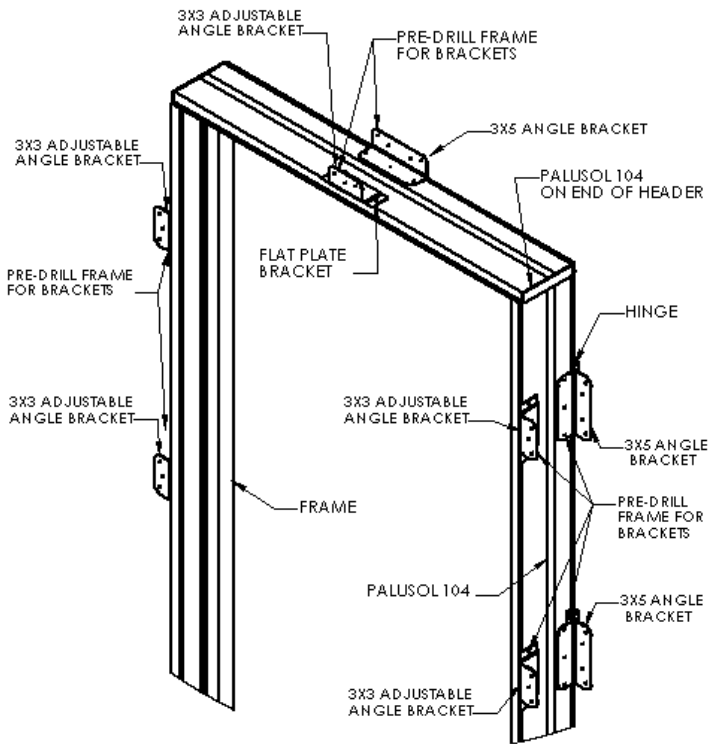


FIG. 6

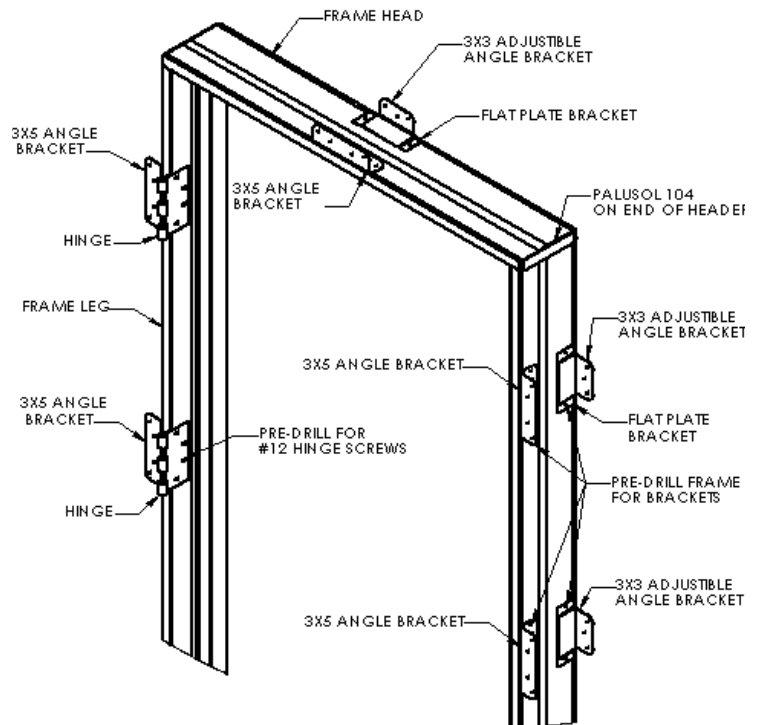
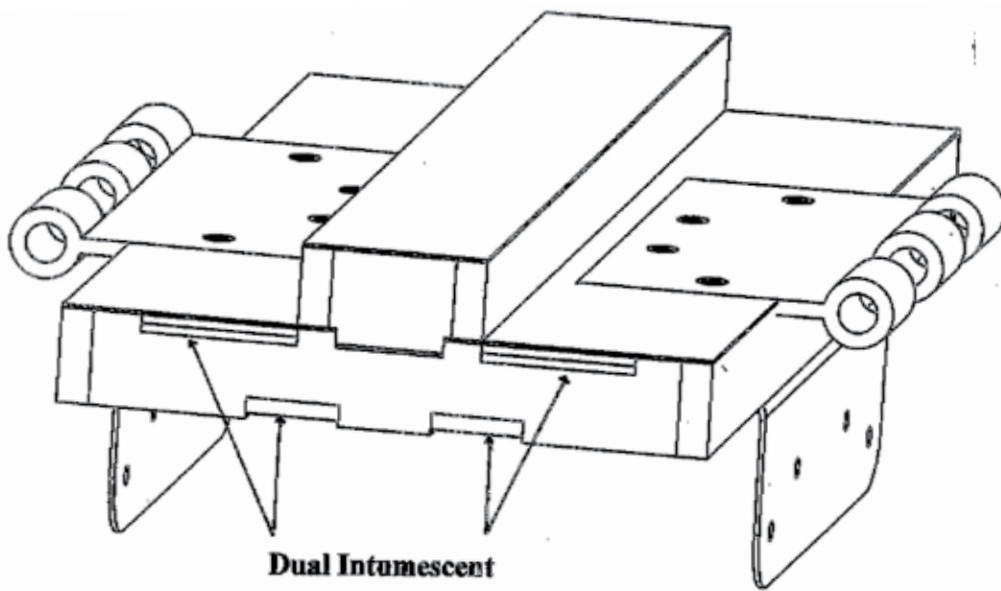


FIG. 6A

**HARMONY COMPOSITE PRODUCTS
DOOR FRAME SYSTEM
(page4)**



Dual Intumescent

PROPRIETARY AND CONFIDENTIAL THE INFORMATION CONTAINED IN THIS DRAWING IS THE SOLE PROPERTY OF HESBY COMPANY. NO REPRODUCTION, IN WHOLE OR IN PART, WITHOUT THE WRITTEN PERMISSION OF HESBY COMPANY IS PERMITTED.		UNLESS OTHERWISE SPECIFIED: DIMENSIONS ARE IN INCHES TOLERANCES: FINISH: ±0.0005 ANGULAR MATCHES: ±0.0005 TWO PLACE DECIMAL: ±0.005 THREE PLACE DECIMAL: ±0.001		NAME: _____ DATE: _____		
			DRAWN: _____ CHECKED: _____ ENG APPR: _____ MFG APPR: _____ G.A. _____ COMMENTS: _____	Fig. 7 TITLE:		
	NEXT ASSY	USED ON	THIS	communicator frame		
	APPLICATION	DO NOT SCALE DRAWING		SIZE: 1:1 DWG. NO.: _____ REV: _____ SCALE: 1:1 WEIGHT: _____ SHEET 1 OF 1		
	5	4	3	2		

**HARMONY COMPOSITE PRODUCTS
DOOR FRAME SYSTEM
(page5)**

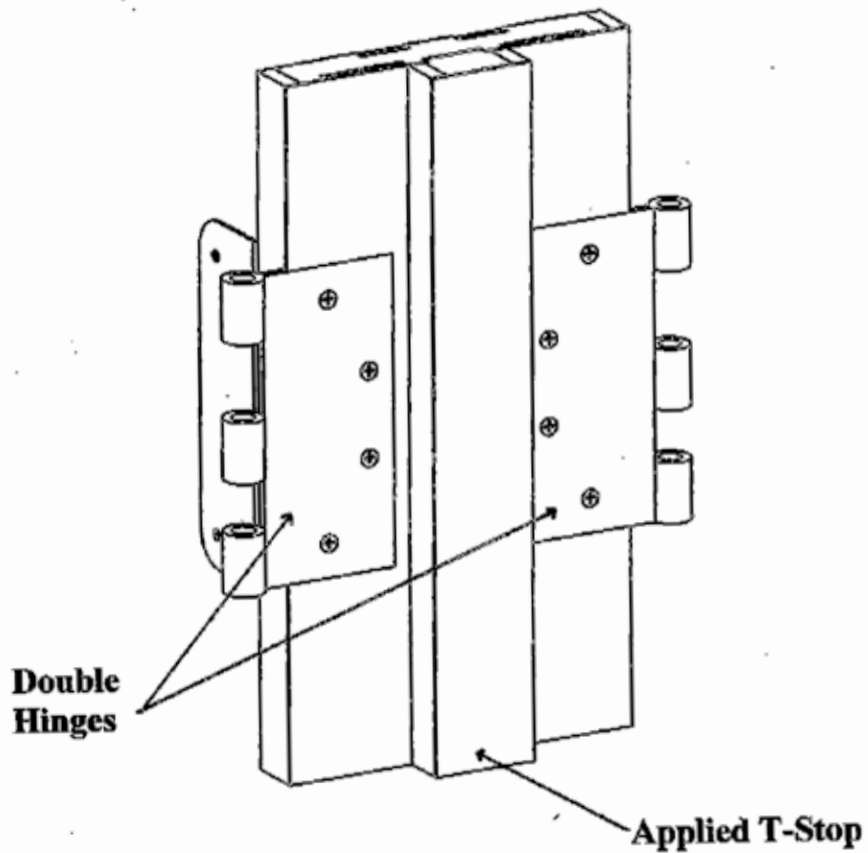
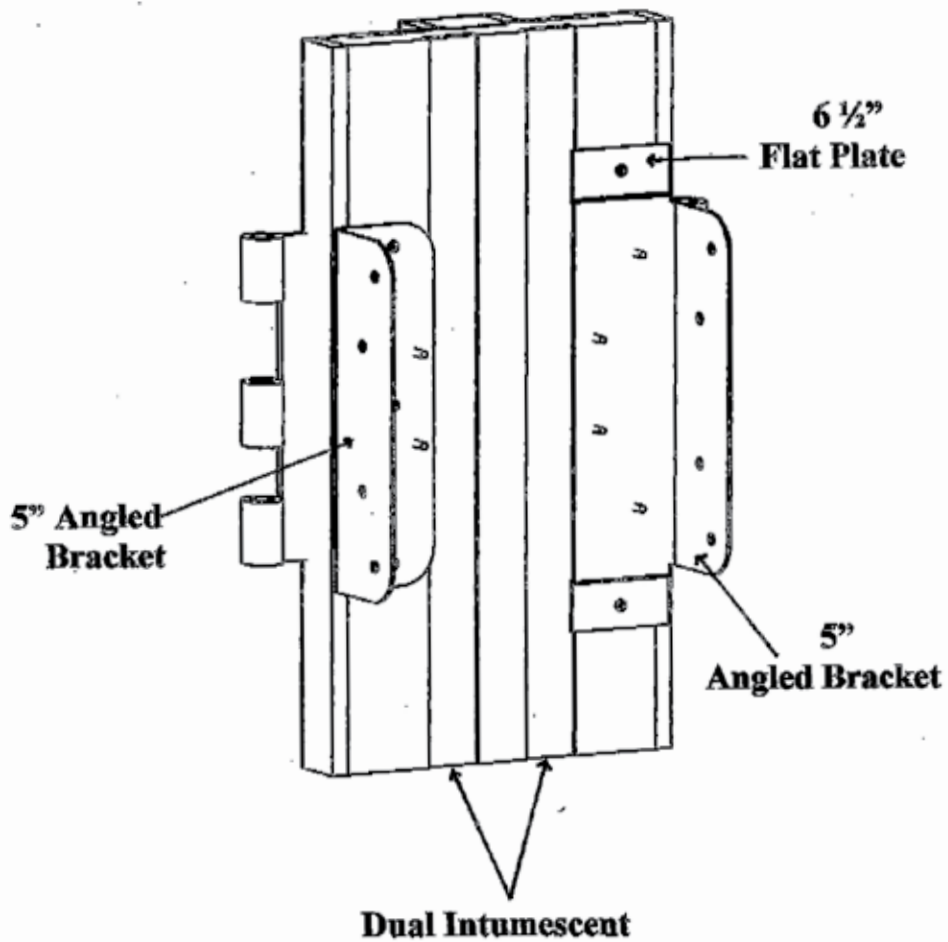


Fig. 7A

PROPRIETARY AND CONFIDENTIAL THE INFORMATION CONTAINED IN THIS DRAWING IS THE SOLE PROPERTY OF "QUEST COMPANY FRAME SYSTEMS". ANY REPRODUCTION IN PART OR AS A WHOLE WITHOUT THE WRITTEN PERMISSION OF "QUEST COMPANY FRAME SYSTEMS" IS PROHIBITED.		DIMENSIONS ARE IN INCHES TOLERANCES: FRACTIONALS: ANGULARS: MACH ± BEND ± TWO PLACE DECIMAL ± THREE PLACE DECIMAL ±	DRAWN CHECKED DESIGNED SUPERVISED O.A. COMMENTS	NAME DATE	
	MATERIAL	PART			
	NEXT ASSY USED ON				
	APPLICATION	DO NOT SCALE DRAWING			
	QUEST COMPANY FRAME SYSTEMS				
800 DWS, INC. Acommunicator frame 2 800					
SKANETT TOSKAL PART 1 OF 1					

HARMONY COMPOSITE PRODUCTS
 DOOR FRAME SYSTEM
 (page6)



DIMENSIONS ARE IN INCHES TOLERANCES: FRACTIONALS ANGULARS MATCHES UNLESS OTHERWISE SPECIFIED TWO PLACE DECIMAL ± THREE PLACE DECIMAL ±		DATE	DATE
		DRAWN CHECKED ENG. APPR. MFG. APPR.	
MATERIAL FINISH		G.A. COMMENTS	
NEXT ASSY USED ON	APPLICATION	DO NOT SCALE DRAWING	

Fig. 7B

REV. DWG. NO. **A** Communicator frame 1
 SCALE: _____ SHEET OF 1