

Installation Instructions for Acoustic Doors Positive Pressure Frame Mounted Intumescent (PPFM)

To meet positive pressure requirements per UBC 7-2 (97) part 1, doors must be installed with Pemko S88 fire-rated smoke and draft control gasketing (category H) on both door jambs and header (See Drawing S). An intumescent seal is also required (category G), as noted below. Refer to gasketing and intumescent manufacturer's installation instructions for frame preparation and application guidelines.

Frames must be installed in accordance with the Marshfield DoorSystems™ Care and Handling brochure. Hang doors in accordance with NFPA 80, maintaining a uniform clearance between door and frame. If a threshold is being used, install per manufacturer's installation instructions. Position thresholds prior to adjusting door clearance. Where bottom seals are being used (See Drawing R), seals must be adjusted for proper pressure to maintain acoustic rating, refer to bottom seal manufacturer's installation instructions.

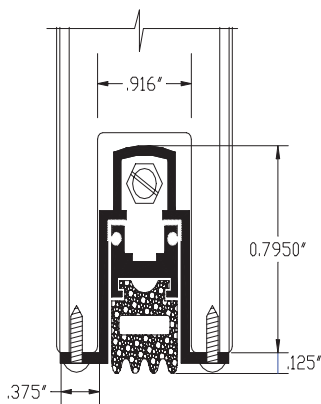
When installed per the above instructions Marshfield DoorSystems acoustic positive pressure frame mounted intumescent door meets part 1 of UBC 7-2 (97) Category B considerations and meets ASTM E90-90 and E413.

Automatic Door Bottom Detail

Doors are machined at the factory for jobsite installation of bottom seal. Bottom seal must seal to a flat, solid surfaced floor. No threshold is required.

Automatic Door Bottom Detail

Doors are machined at the factory for jobsite installation of bottom seal. Bottom seal must seal to a flat, solid surfaced floor. No threshold is required.



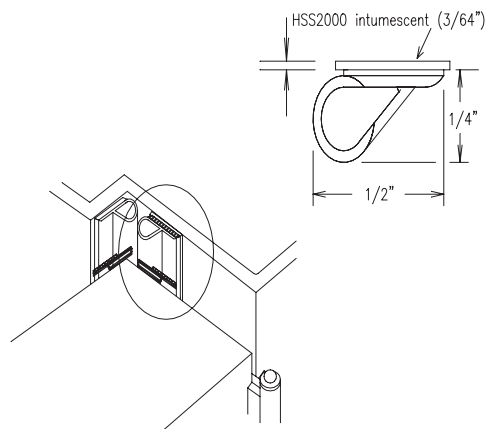
Zero 360 Automatic Bottom Seal

STC Stop Detail

The perimeter gaskets can be easily installed in combination with any metal or wood frame. The gasket does not reduce the frame opening size. Apply the two S88 Pemko door gaskets around the sides and top of the frame. For positive pressure fire applications a strip of

STC Stop Detail

The perimeter gaskets can be easily installed in combination with any metal or wood frame. The gasket does not reduce the frame opening size. Apply the two S88 Pemko door gaskets around the sides and top of the frame. For positive pressure fire applications a strip of Pemko HSS2000 is applied beneath the jamb applied S88 gasketing.



These installation instructions are for typical applications. If they do not cover your application call our Sales and Service Center at 1-800-869-3667 for further instructions.

The mark of excellence™ 

Note: Marshfield DoorSystems doors are manufactured per the standards listed on this page. Specifications are subject to change without notice.

For more information call: 800-869-3667
©2010 Marshfield DoorSystems, Inc.

 **Marshfield**
DoorSystems