

Installation Instructions for 45, 60 & 90-Minute Positive Pressure and Smoke Control Doors

Category B: Additional Edge Sealing System Required*

For meeting edges of pairs of door and transom doors, a factory installed intumescent seal is required (category G), as noted below. The smoke and draft control gasket and the intumescent seal must be "Listed" for compliance with test procedure UBC Standard 7-2 (97) part 1 & 2. Refer to gasketing and intumescent manufacturer's installation instructions for frame preparation and application guidelines.

Installation Requirements – To meet part 1 of UBC 7-2 (97):

Category "B" Doors – Additional edge sealing system required to meet part 1 of UBC 7-2 (97).

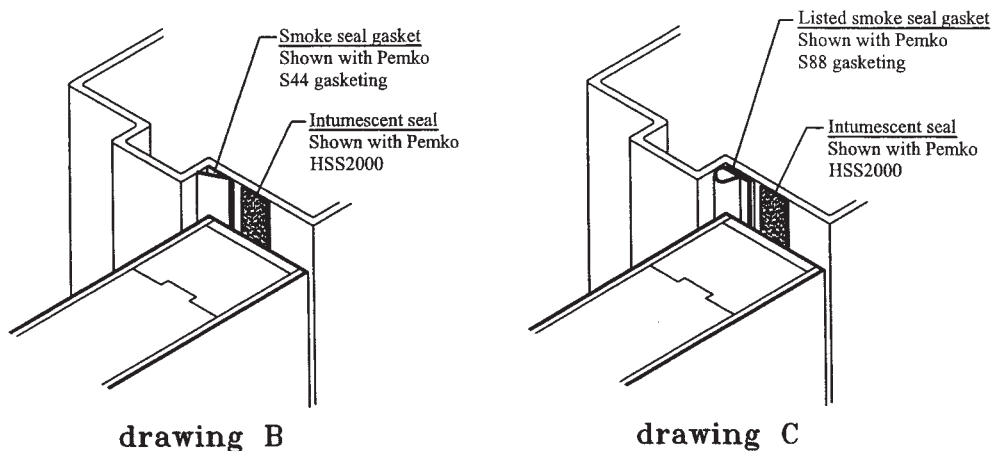
- This category includes doors that do not have intumescent material that is concealed in the stile edges. To meet part 1 of UBC 7-2 (97) the installer must apply "Listed" intumescent on both door jambs and header (see drawings B and C).

Installation Requirements: Single Door – To meet part 2 of UBC 7-2 (97):

- **Standard 16 Gauge UL-63 Metal Frames (Category "B" Doors):** Install "Listed" smoke seal gasketing on both door jambs and header (see drawings B and C). For door and transom assemblies with a transom bar, also install the "Listed" smoke seal gasketing on **all** edges of the frame around the transom.

Installation Requirements: Pair and Door and Transom Doors – To meet part 1 & 2 of UBC 7-2 (97):

- **Pair with metal edge and astragal set:** After installing the metal edge and astragal on the doors, apply "Listed" intumescent seal on one leaf of the pair at the meeting edge (see drawing D). No additional smoke seal gasketing is required at the meeting edge.
- **Pair without metal edges:** The meeting edge intumescent is installed under Label Service. Apply a strip of "Listed" smoke seal gasketing on one leaf of the pair at the meeting edge (see drawing E)
- **Door and transom assemblies without a transom bar:** The meeting rail intumescent is installed under Label Service. Where meeting rail intumescent does not include a smoke seal, additional "Listed" smoke seal gasketing is also required at the meeting rails (see drawing I).
- **Door and transom assemblies with a transom bar:** Apply the "Listed" intumescent on **all** edges of the frame around the transom (see drawing B and C).



Drawings show example placements of gasketing and sealing systems

These installation instructions are for typical applications. If they do not cover your application call our Sales and Service Center at 1-800-869-3667 for further instructions.

*For acoustic door applications, see separate Installation Instructions

The mark of excellence™ 

Note: Marshfield DoorSystems doors are manufactured per the standards listed on this page. Specifications are subject to change without notice.

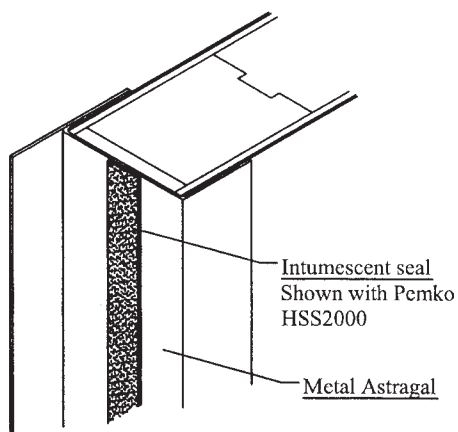
For more information call: 800-869-3667
©2010 Marshfield DoorSystems, Inc.

 Marshfield®
DoorSystems

Installation Instructions for 45, 60 & 90-Minute Positive Pressure and Smoke Control Doors (cont.)

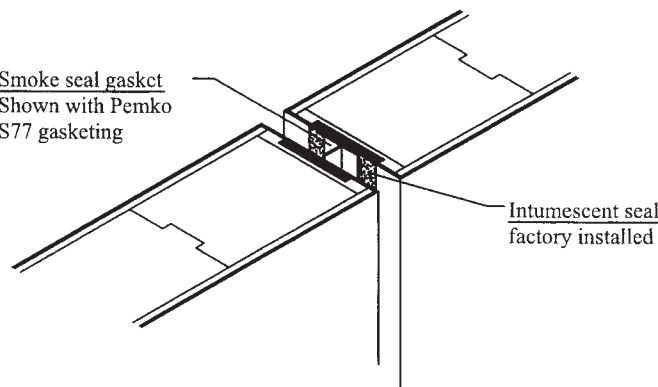
Category B: Additional Edge Sealing System Required*

PAIR

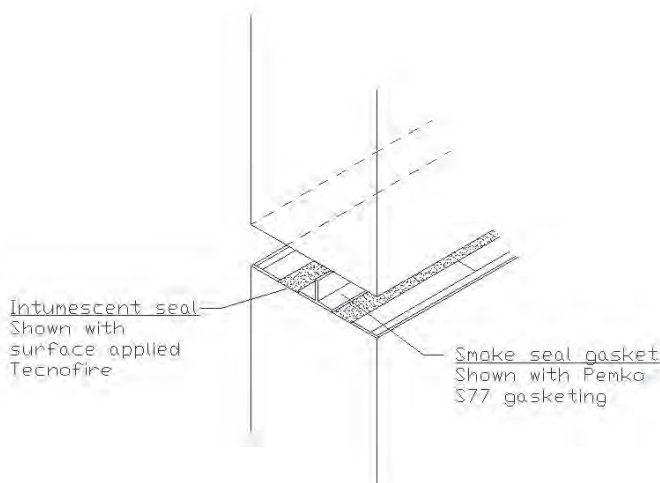


drawing D

Smoke seal gasket
Shown with Pemko
S77 gasketing



drawing E



drawing I

DOOR AND TRANSOM

Drawings show example placements of gasketing and sealing systems

These installation instructions are for typical applications. If they do not cover your application call our Sales and Service Center at 1-800-869-3667 for further instructions.

*For acoustic door applications, see separate Installation Instructions

The mark of excellence™



Note: Marshfield DoorSystems doors are manufactured per the standards listed on this page. Specifications are subject to change without notice.

For more information call: 800-869-3667
©2010 Marshfield DoorSystems, Inc.

