

# Trim-Lite™ Installation Instructions

For 20 Minute Rated Doors Requiring Hose Stream, Including Doors Shipping to Canada

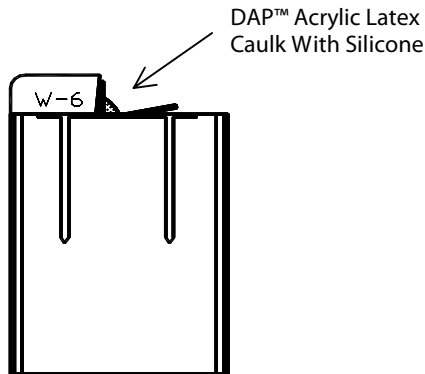


Fig. 1

To install the glass in the field, the glazer must first remove the packaged side of the wood moulding kit. Apply a 1/8" to 1/4" bead of DAP™ Acrylic Latex Caulk with Silicone in the corner made by the wood moulding and the door. (See Figure 1) The caulking is not supplied, but can be purchased at a local hardware store or home center.

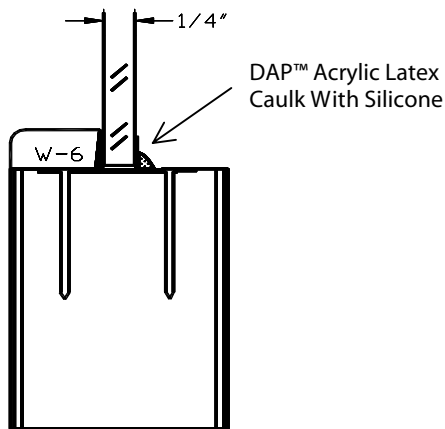


Fig. 2

Place the glass in the opening and bend the metal tabs up to secure the glass. (The tabs are easily bent up or down using a wood block and carefully tap the metal tabs down against the glass). Apply another 1/8" to 1/4" bead of DAP™ Acrylic Latex Caulk with Silicone in the corner made by the glass and the door. (See Figure 2)

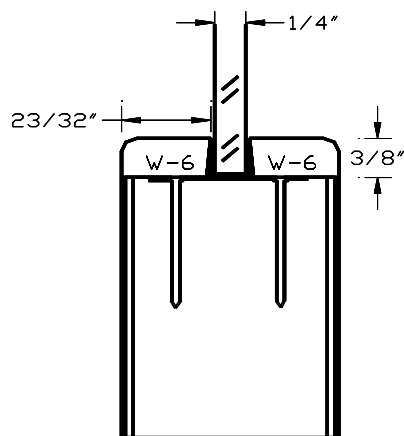


Fig. 3

Nail the packaged, prefit moulding into place to finish the opening. The moulding is easily installed by securing the narrow pieces of the moulding first. Do not remove excess caulk when it is wet. Let the caulk set up so when wiping the excess it does not fill the open grain of the wood affecting the factory or field finish. (See Figure 3)

The mark of excellence™

Note: Marshfield DoorSystems doors are manufactured per the standards listed on this page. Specifications are subject to change without notice.